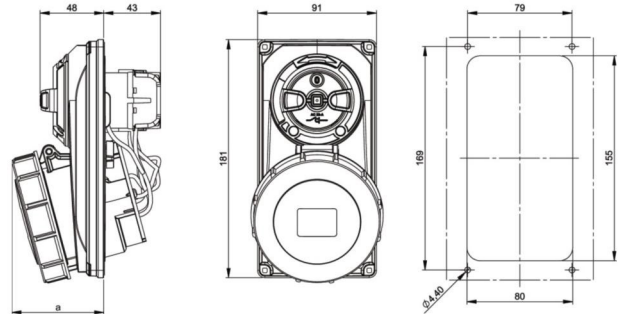


article#	<b>23842270</b>
article description	<b>CEE-switched interlocked socket compact 32A 4p 6h IP66/IP67</b>
description long	CEE-switched interlocked socket compact 32A4p 6h IP66/IP67 housing material: PA6 rated current: 32A number of poles: 4 (3P+PE) clock-position: 6h rated voltage/frequency: 380-415V~ / 50+60Hz contacts: brass nickel plated connection technology: screw terminals panel mounting, mechanical interlock switch: ON/OFF PCE-Merz MLO; EN 60947-3; AC22A, 10kA IP protection class: IP66/IP67
GTIN (EAN)	9003399174018
country of origin	AT
customs number	85366990
net weight	0,548 kg
packaging quantity	1

ETIM 7.0	EC001324
IEC-amperage	32 A
Number of poles	4
Voltage acc. EN 60309-2	400 V (50+60 Hz) red
Clock hour position	6 h
Identification colour	Red
Degree of protection (IP)	IP67
Switch	Mechanical locking
Material housing	Plastic
Model	Cover
Contact material	CuZn
Surface finish contacts	Nickel-plated

wire flexible	2,5-6 mm <sup>2</sup>
wire solid	2,5-10 mm <sup>2</sup>



Descargá el catálogo