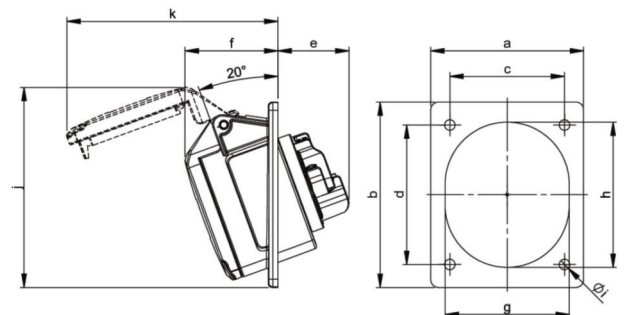


|                     |  |
|---------------------|--|
| article#            | <b>23452241</b>  |
| article description | <b>CEE-flanged socket sloping (80x97mm) 32A 5p 6h IP44/IP54</b>  |
| description long    | CEE-flanged socket sloping (80x97mm) 32A 5p 6h IP44/IP54<br>housing material: PA6<br>rated current: 32A<br>number of poles: 5 (3P+N+PE)<br>clock-position: 6h<br>rated voltage/frequency: 200/346V~ - 240/415V~ / 50+60Hz<br>contacts: brass<br>connection technology: screw terminals<br>dimensions (flange/fixing center): 80x97 mm / 60x73 mm<br>IP protection class: IP44/IP54 |
| GTIN (EAN)          | 9003399054457  |
| country of origin   | AT   |
| customs number      | 85366990   |
| net weight          | 0.214 kg   |
| packaging quantity  | 10   |

|                                |                      |
|--------------------------------|----------------------|
| ETIM 7.0                       | EC001317             |
| IEC-ampereage                  | 32 A                 |
| Voltage acc. EN 60309-2        | 400 V (50+60 Hz) red |
| Number of poles                | 5                    |
| Clock hour position            | 6 h                  |
| Identification colour          | Red                  |
| Degree of protection (IP)      | IP44                 |
| Connection system              | Screwed terminal     |
| Angle of plug                  | Angled               |
| Material                       | Plastic              |
| Contact material               | CuZn                 |
| Surface finish contacts        | Untreated            |
| Flange size vertical           | 97 mm                |
| Drill hole distance vertical   | 73 mm                |
| Flange size horizontal         | 80 mm                |
| Drill hole distance horizontal | 60 mm                |

|                    |                        |
|--------------------|------------------------|
| wire flexible      | 2,5-6 mm <sup>2</sup>  |
| wire solid         | 2,5-10 mm <sup>2</sup> |
| contact screws     | 110 Ncm                |
| dismantling length | 50 mm                  |
| stripping length   | 12-14 mm               |



Descargá el catálogo